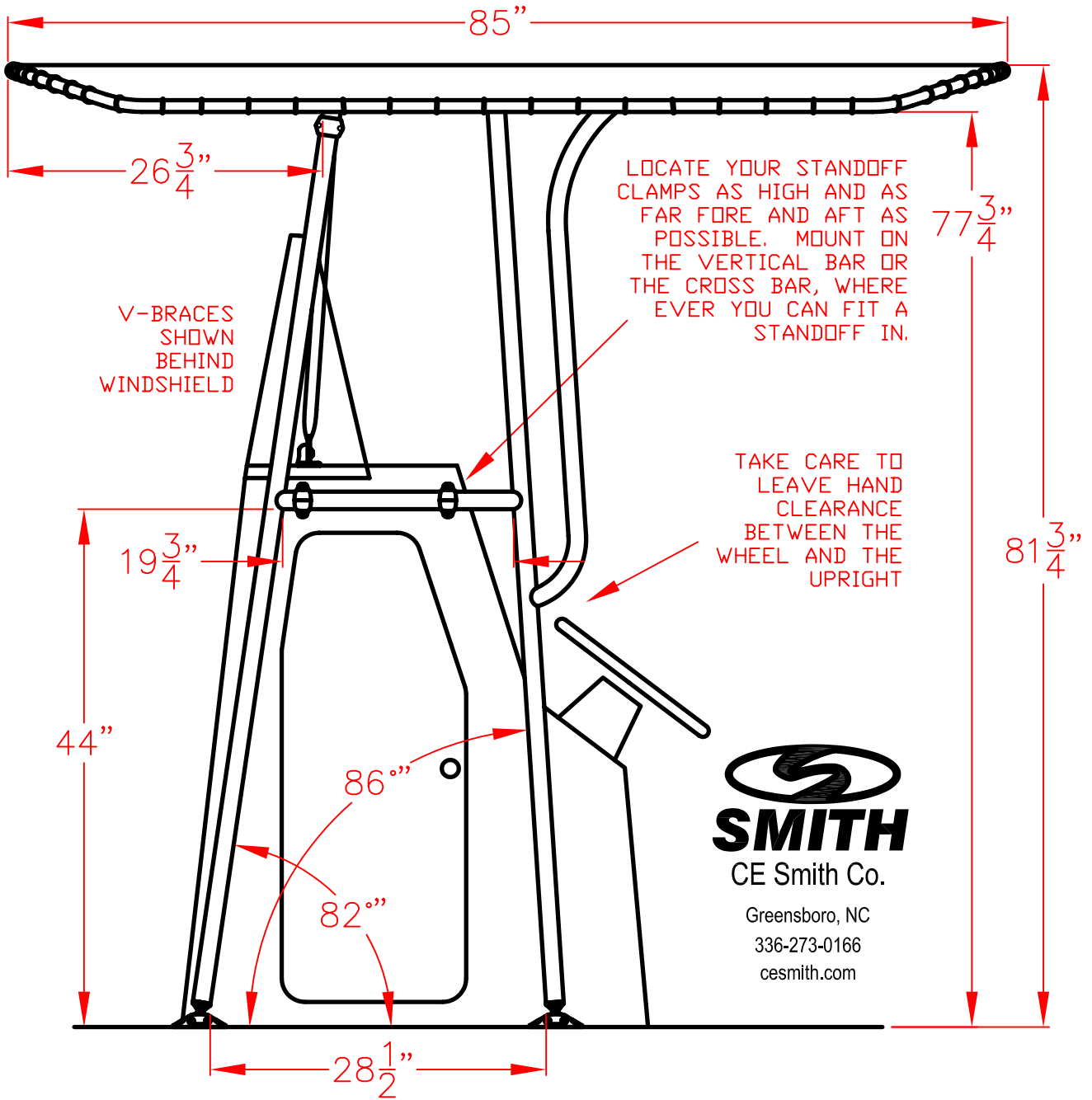
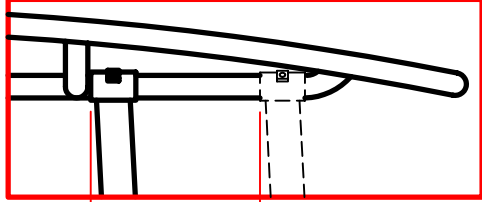
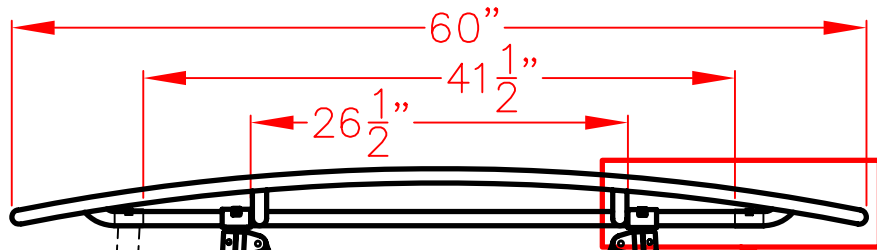


52100 SMITH TTOP WITH STANDARD UPRIGHTS
STANDARD ANGLED MID BAR IS IDEAL FOR MOST CENTER CONSOLES



52100HB SMITH TTOP WITH HIGH-MIDBAR UPRIGHTS
SAME AS STANDARD TTOP UPRIGHTS EXCEPT THAT THE MID BAR
IS WELDED IN HORIZONTALLY AND MUCH HIGHER.
IDEAL FOR LARGER CONSOLES WITH TALL SIDE ACCESS DOORS



V BRACE CAN BE MOUNTED ON TOP OF CONSOLE BEHIND WINDSCREEN AS SHOWN

OR

ON FACE OF CONSOLE IN FRONT OF WINDSCREEN.

FITTINGS ARE INCLUDED FOR EITHER MOUNTING

MOUNT SWIVEL FEET CLOSE TO CONSOLE TO MAX WALKING CLEARANCE. TURN FEET TO MATCH CONSOLE BASE CURVATURE



SLIDE ADJUSTING BARS TO FIT YOUR CONSOLE



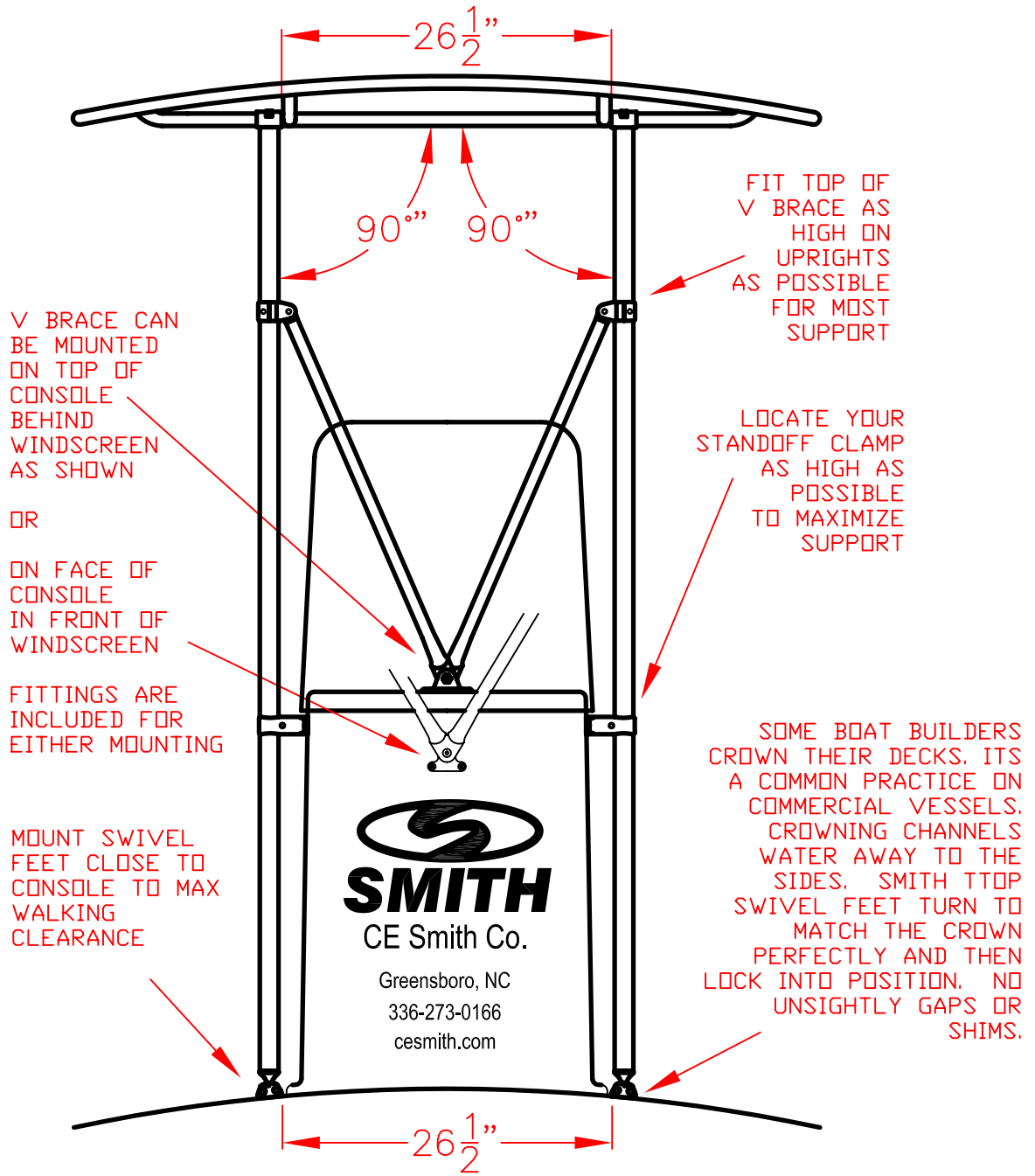
Greensboro, NC
336-273-0166
cesmith.com

STANDOFF LENGTHS ARE STATED AS THE GAP THEY WILL CREATE BETWEEN THE UPRIGHT AND THE CONSOLE.

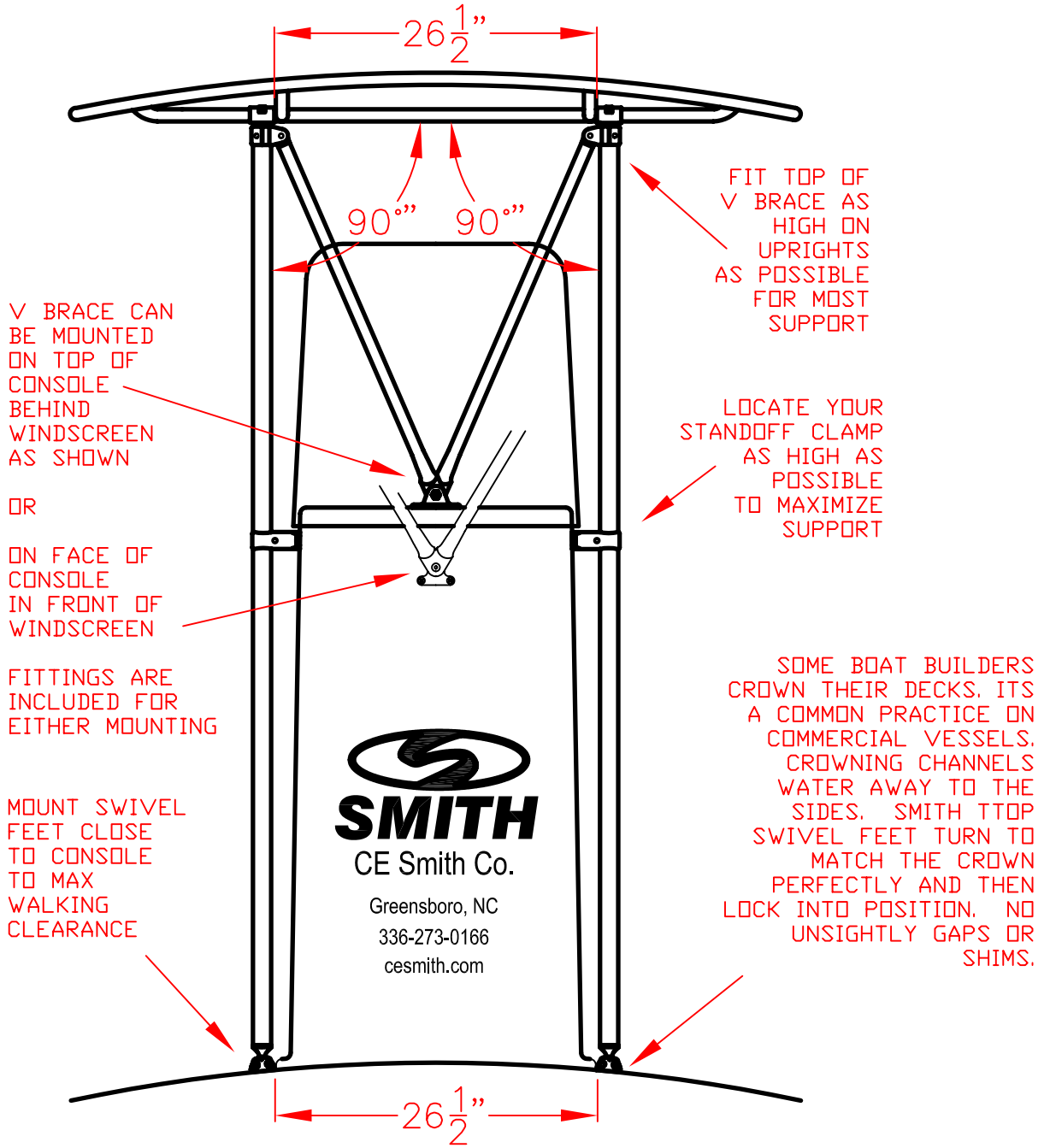
KEEP FEET AS CLOSE TO CONSOLE AS POSSIBLE



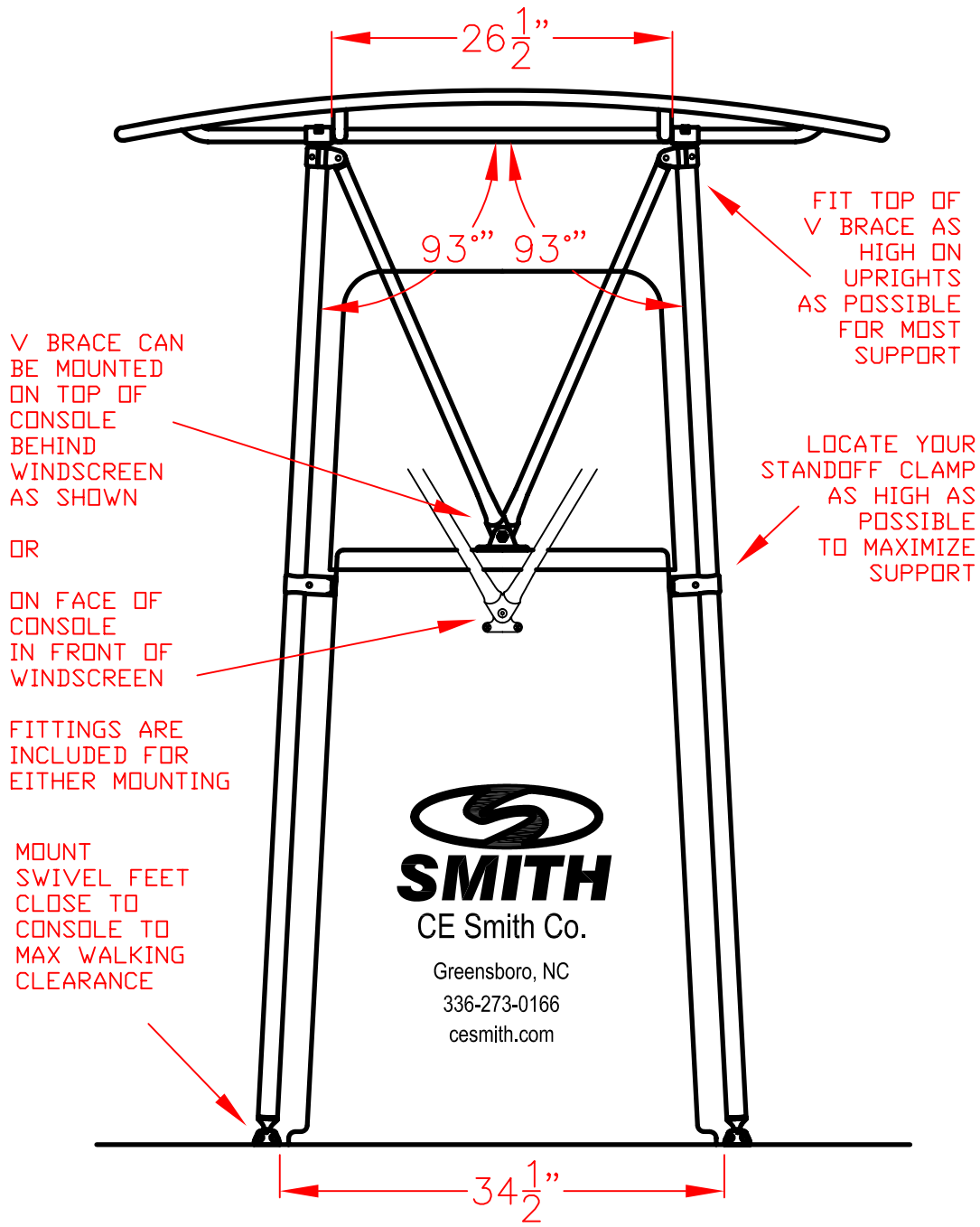
CHOOSE THE UPRIGHT LEAN ANGLE TO BEST SUIT YOUR CONSOLE. FROM 0° LEAN AT 26-1/2" TO 5°+ AT 54+" OR MORE



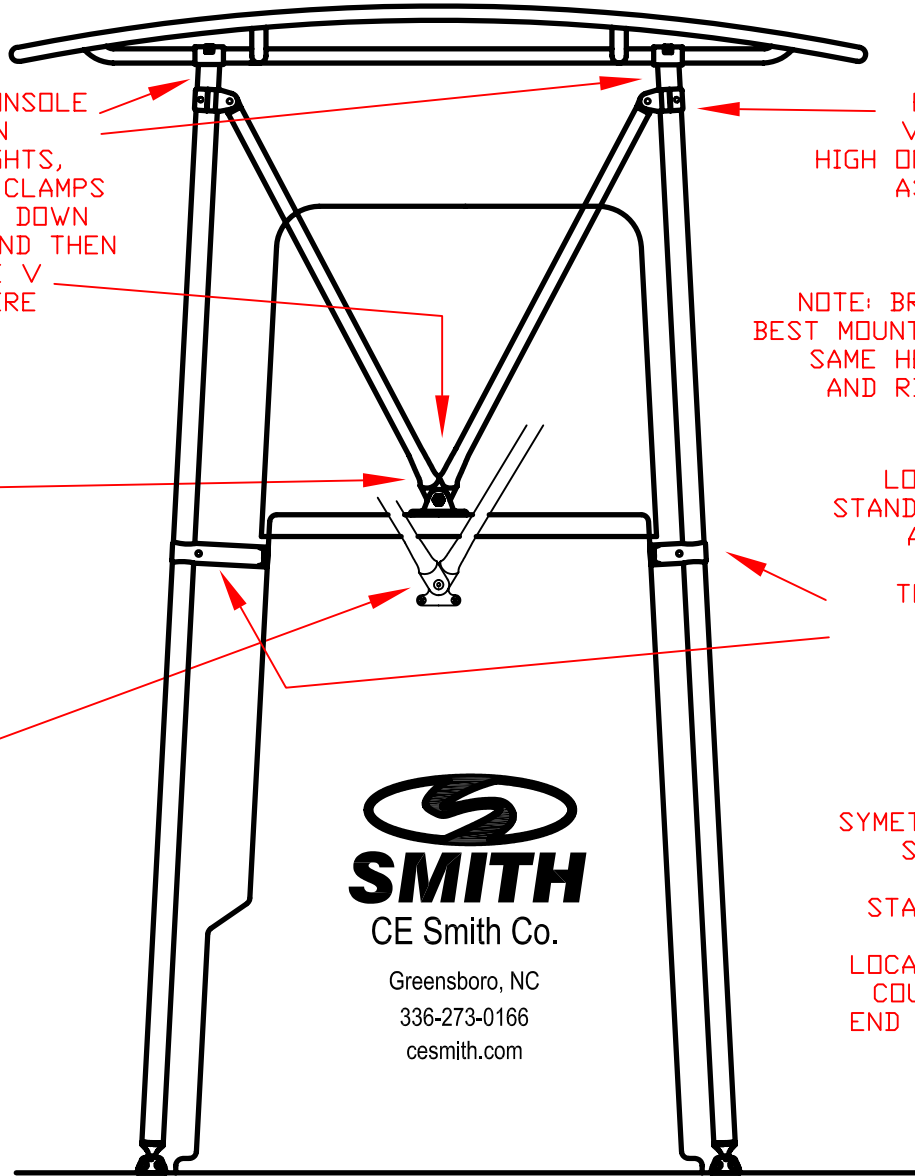
SMITH T-TOP MOUNTED ON A SHORT NARROW CONSOLE
MINIMUM 26-1/2" UPRIGHT SPACING
VERTICAL UPRIGHTS, NO INWARD LEAN
CHOOSE STANDOFF LENGTH AS NEEDED
TO FIT THE CONSOLE



SMITH T-TOP MOUNTED ON A VERY TALL NARROW CONSOLE
 MINIMUM 26-1/2" UPRIGHT SPACING
 VERTICAL UPRIGHTS, NO INWARD LEAN
 CHOOSE STANDOFF LENGTH AS NEEDED
 TO FIT THE CONSOLE



SMITH T-TOP MOUNTED ON A TALL MEDIUM WIDTH CONSOLE
MINIMUM 26-1/2" UPRIGHT SPACING
3° INWARD LEAN
CHOOSE STANDOFF LENGTH AS NEEDED
TO FIT THE CONSOLE



THE TOP OF THE CONSOLE IS NOT CENTERED IN BETWEEN THE UPRIGHTS, LOCATE THE 2 TOP CLAMPS AN EQUAL DISTANCE DOWN ON THE UPRIGHTS AND THEN MOUNT THE CONSOLE V BRACE CASTING WHERE EVER IT LANDS.

FIT TOP OF V BRACE AS HIGH ON UPRIGHTS AS POSSIBLE FOR MOST SUPPORT

NOTE: BRACES LOOK BEST MOUNTED AT THE SAME HEIGHT LEFT AND RIGHT SIDES.

V BRACE CAN BE MOUNTED ON TOP OF CONSOLE BEHIND WINDSCREEN AS SHOWN

LOCATE YOUR STANDOFF CLAMP AS HIGH AS POSSIBLE TO MAXIMIZE SUPPORT

OR

ON FACE OF CONSOLE IN FRONT OF WINDSCREEN

NOTE: AS SHOWN, CONSOLES SOMETIMES AREN'T SYMETRICAL. IN SUCH CASES CHOOSE STANDOFFS TO FIT EACH LOCATION. YOU COULD EASILY END UP WITH 4 DIFFERENT SIZES.

FITTINGS ARE INCLUDED FOR EITHER MOUNTING



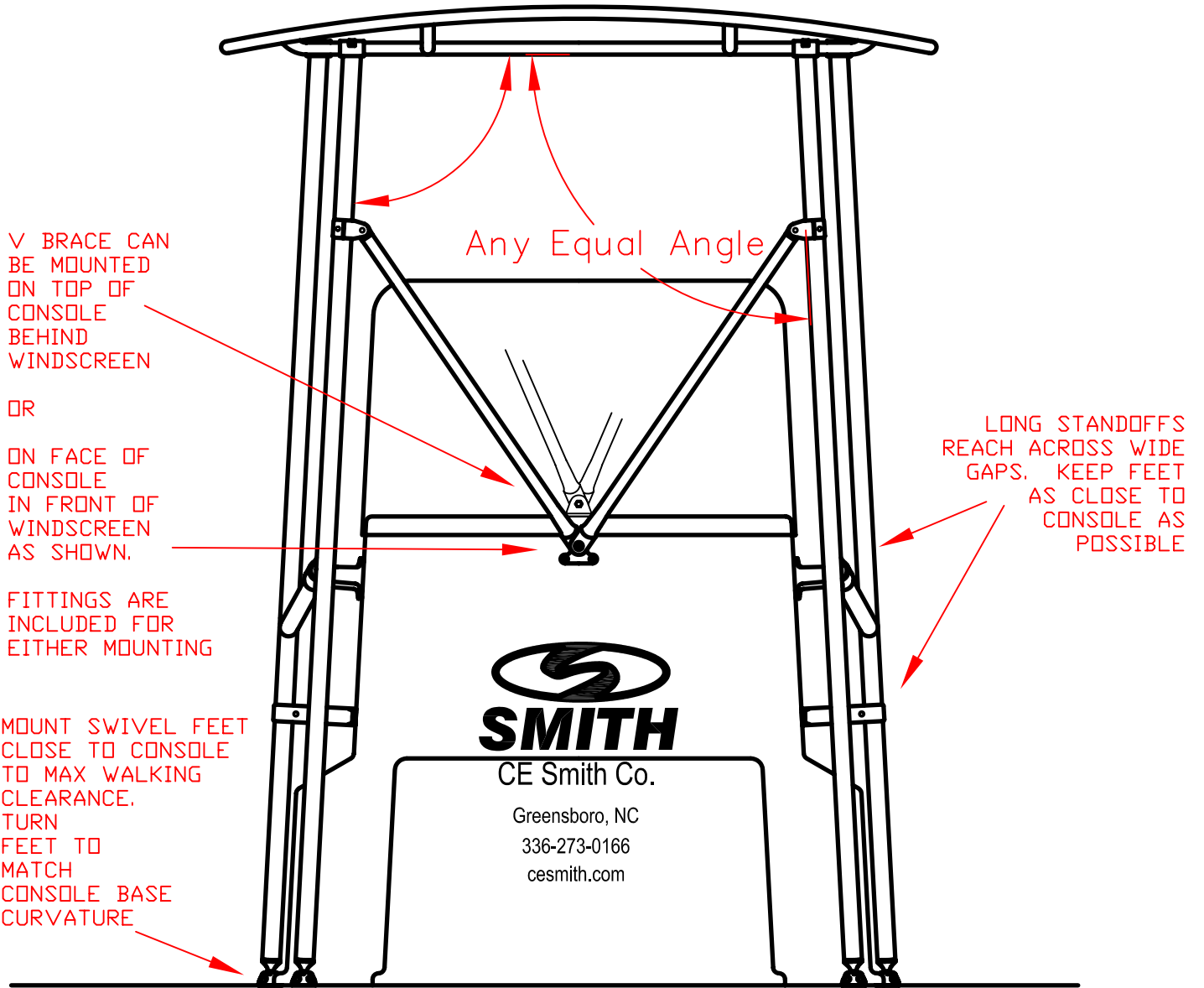
CE Smith Co.

Greensboro, NC

336-273-0166

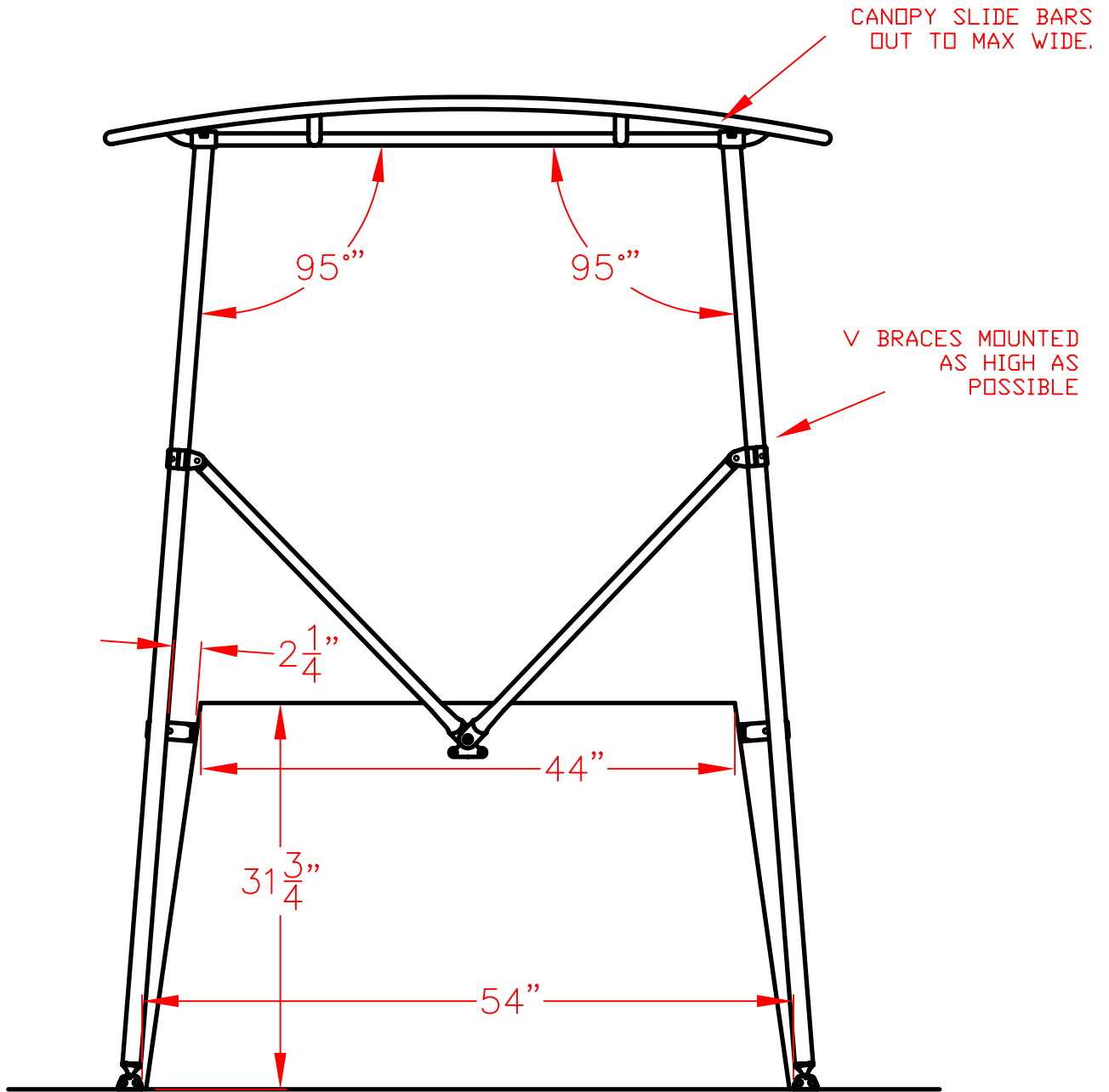
cesmith.com

SMITH T-TOP MOUNTED ON A TALL MEDIUM WIDTH
 NON-SYMETRICAL CONSOLE
 MID-RANGE UPRIGHT SPACING
 3° INWARD LEAN
 MID RANGE BOTTOM SPACING
 CHOOSE STANDOFF LENGTH AS NEEDED
 TO FIT EACH LOCATION ON THE CONSOLE

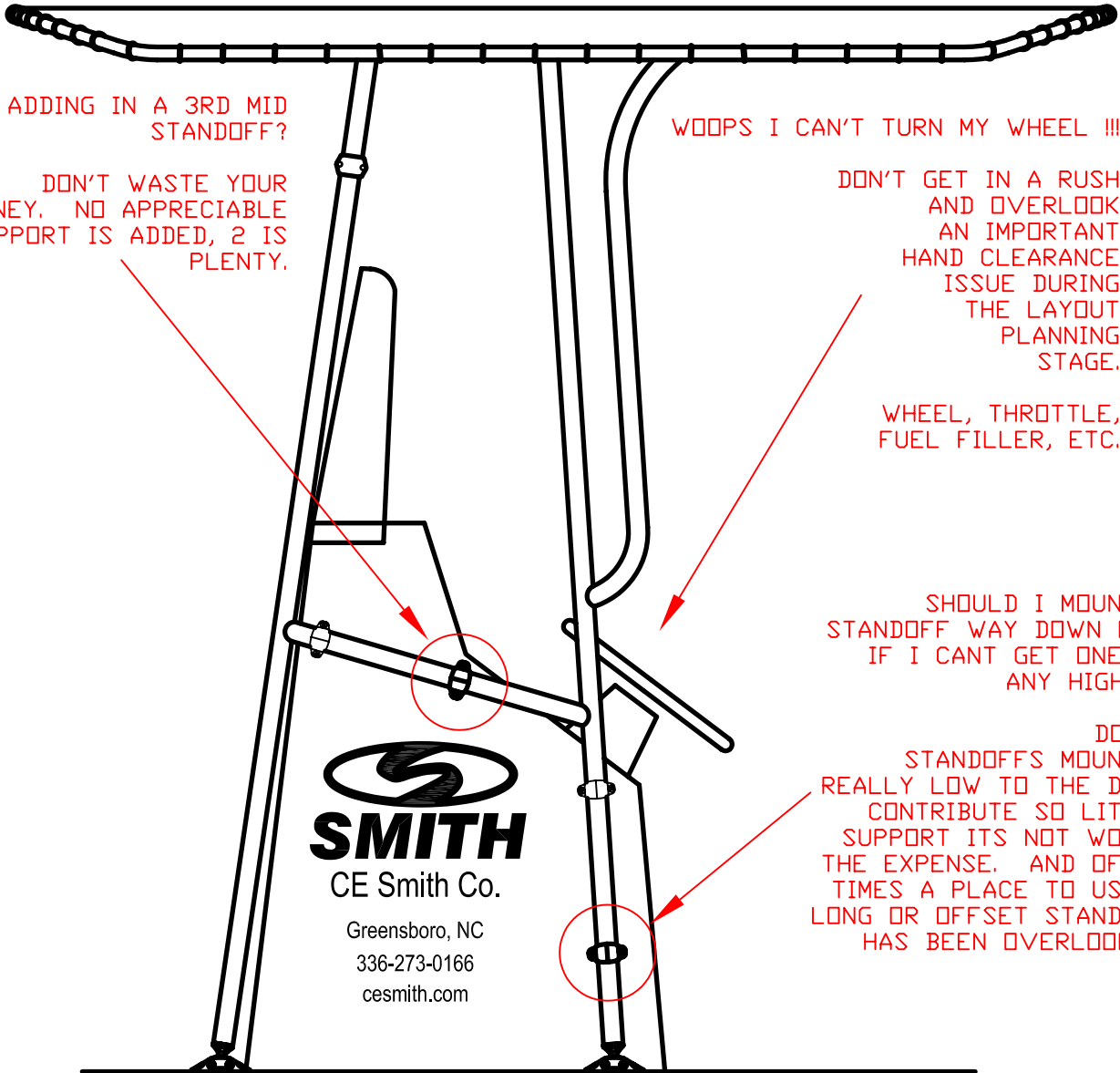


SMITH T-TOP MOUNTED ON A WIDE, MEDIUM HEIGHT CONSOLE WITH ROD HOLDER POOCHES ON BOTH SIDES. INSTALL SHOWN IS WIDER IN THE BACK AND MORE NARROW IN THE FRONT. A PLASTIC HAMMER MAY BE NEEDED TO COAX THE SLIDE BARS OUT TO THE ANGLE NEEDED. IF YOU CAN'T GET THE FULL ANGLE IN THE CANOPY ALONE YOU MAY NEED TO FLEX IN THE REAR ENDS OF THE UPRIGHTS INWARD AS NEEDED UNTIL THE SLIDE BARS POP INTO THE UPRIGHT CHANNELS.

LONG STANDOFFS TO REACH ACROSS THE NOTCHED CONSOLE



EXAMPLE SMITH T-TOP ON A VERY WIDE, LOW CONSOLE
SWIVEL FEET LAY FLAT ONTO THE DECK
5°+ INWARD LEAN



ADDING IN A 3RD MID STANDOFF?

DON'T WASTE YOUR MONEY. NO APPRECIABLE SUPPORT IS ADDED, 2 IS PLENTY.

WOOPS I CAN'T TURN MY WHEEL !!!

DON'T GET IN A RUSH AND OVERLOOK AN IMPORTANT HAND CLEARANCE ISSUE DURING THE LAYOUT PLANNING STAGE.

WHEEL, THROTTLE, FUEL FILLER, ETC.

SHOULD I MOUNT A STANDOFF WAY DOWN LOW IF I CANT GET ONE UP ANY HIGHER?

DON'T. STANDOFFS MOUNTED REALLY LOW TO THE DECK CONTRIBUTE SO LITTLE SUPPORT ITS NOT WORTH THE EXPENSE. AND OFTEN TIMES A PLACE TO USE A LONG OR OFFSET STANDOFF HAS BEEN OVERLOOKED.

SMITH
CE Smith Co.

Greensboro, NC
336-273-0166
cesmith.com

***** SOME COMMONLY ASKED QUESTIONS WHERE *****
***** THE ANSWER IS... DON'T *****